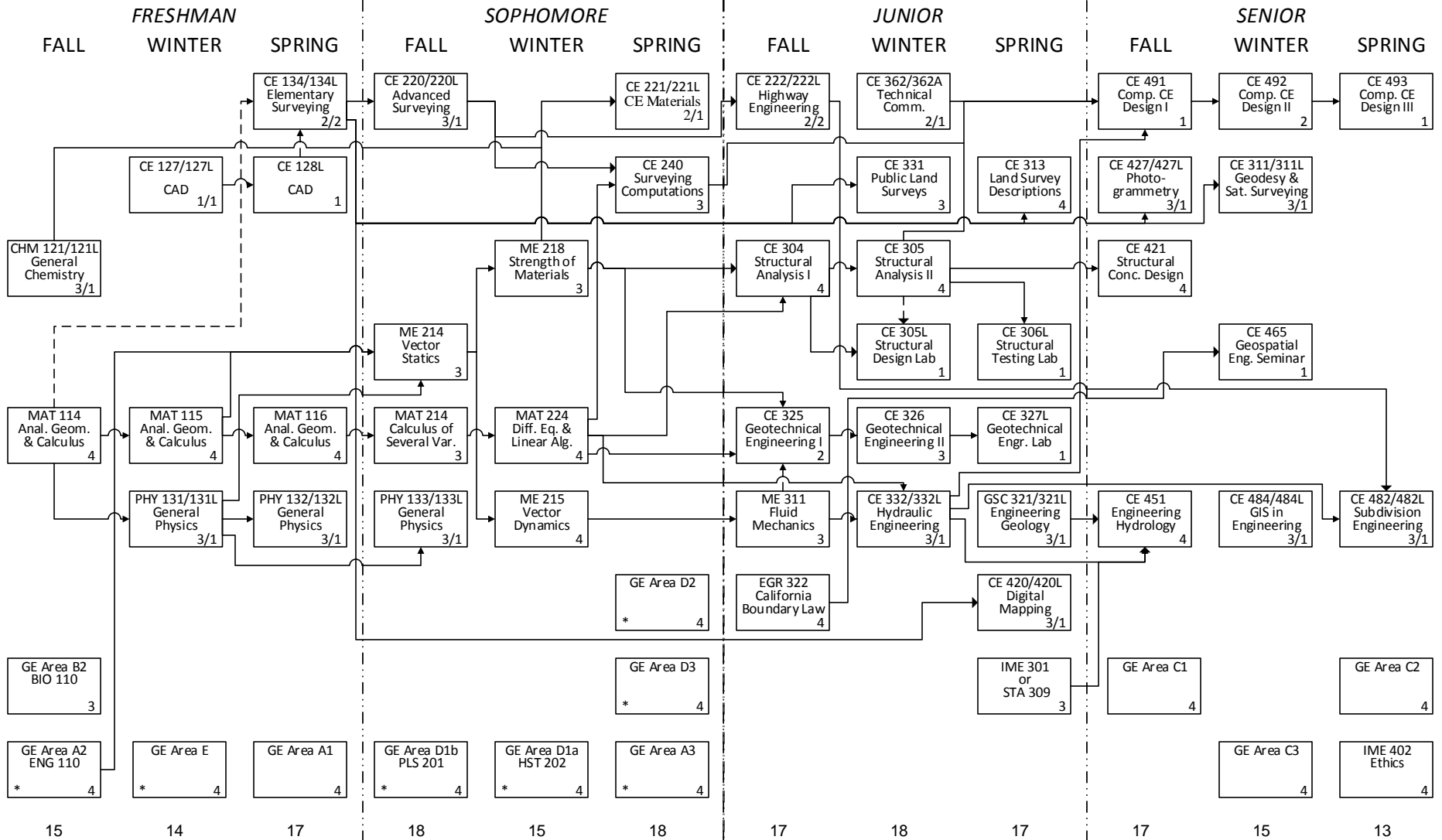


California State Polytechnic University, Pomona Civil Engineering Department Curriculum

2017-2018

GEOSPATIAL ENGINEERING OPTION

NAME: _____ DATE: _____



Total = 194 units

Not all prerequisites are shown. Students are responsible for checking current University Catalog to determine specific prerequisites.

* IGE sequence replaces these courses plus two of GE Areas C1, C2, and C3. See University Catalog for details.

